



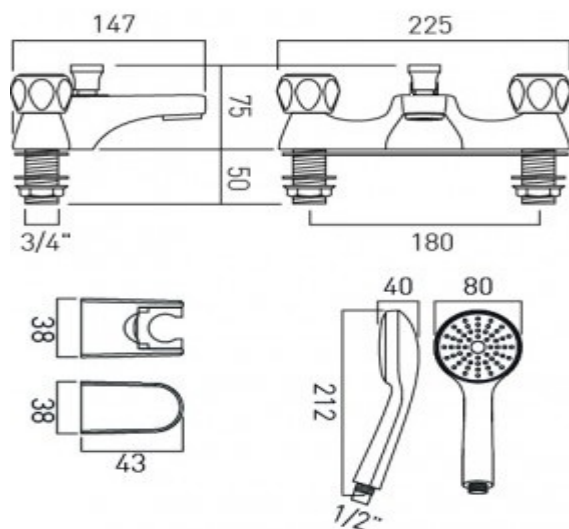
where inspiration flows
taps | showering | accessories

technical sheet

product code: AST-130+KIT-C/P



technical drawing:



description: bath shower mixer
deck mounted
with shower kit
with water flow straightener
standard cartridge AST-VALVE-STD-1/2
3/4" x 50mm threaded tail connections
deck mount drill hole diameter 27mm

finishes: chrome

 recommended flow regulator product code: FR-SHOWER/9-C/P

guarantee: 12 year guarantee

minimum operating pressure: 0.2 bar LP

certificates and awards:



cert no. 1212031