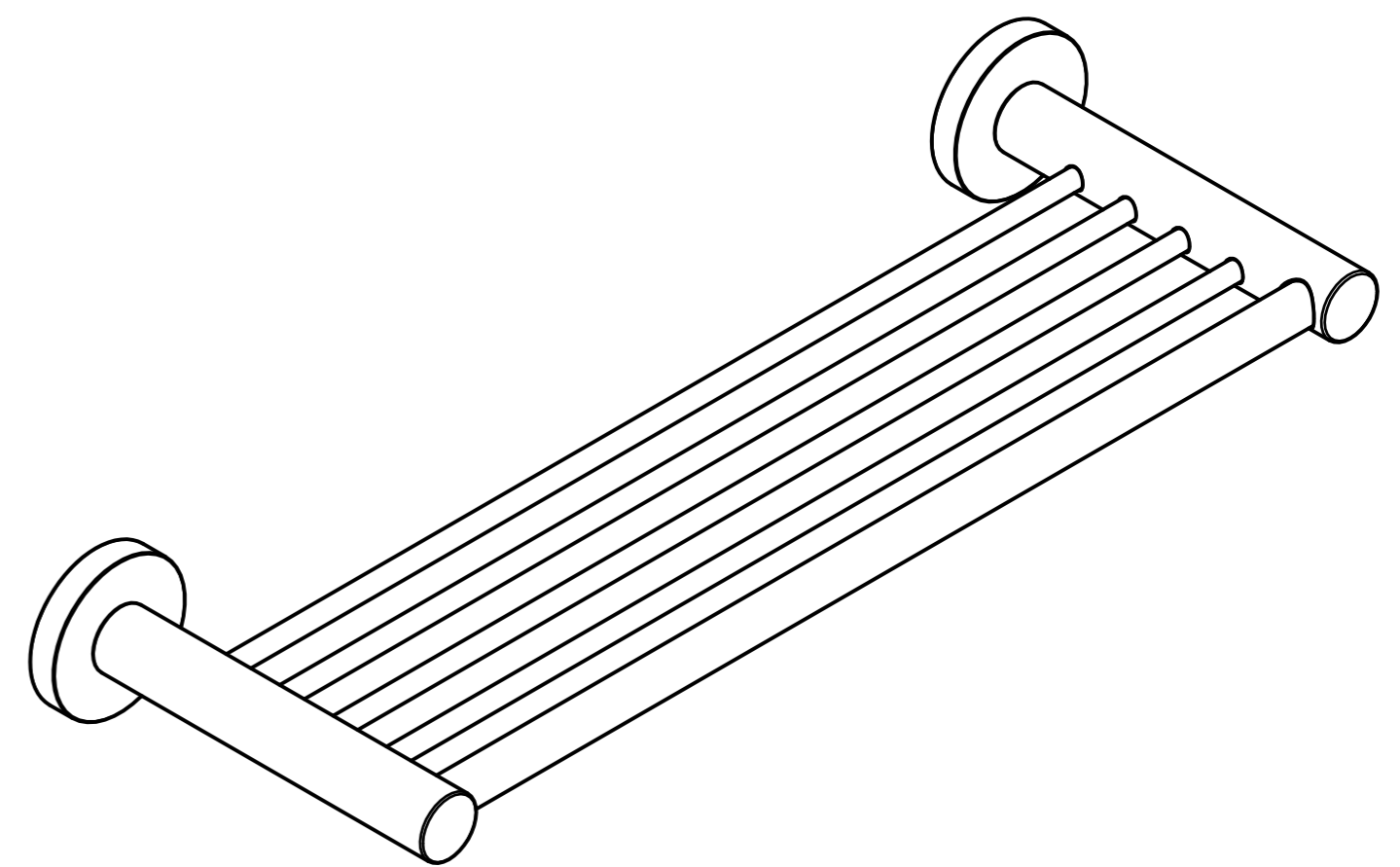
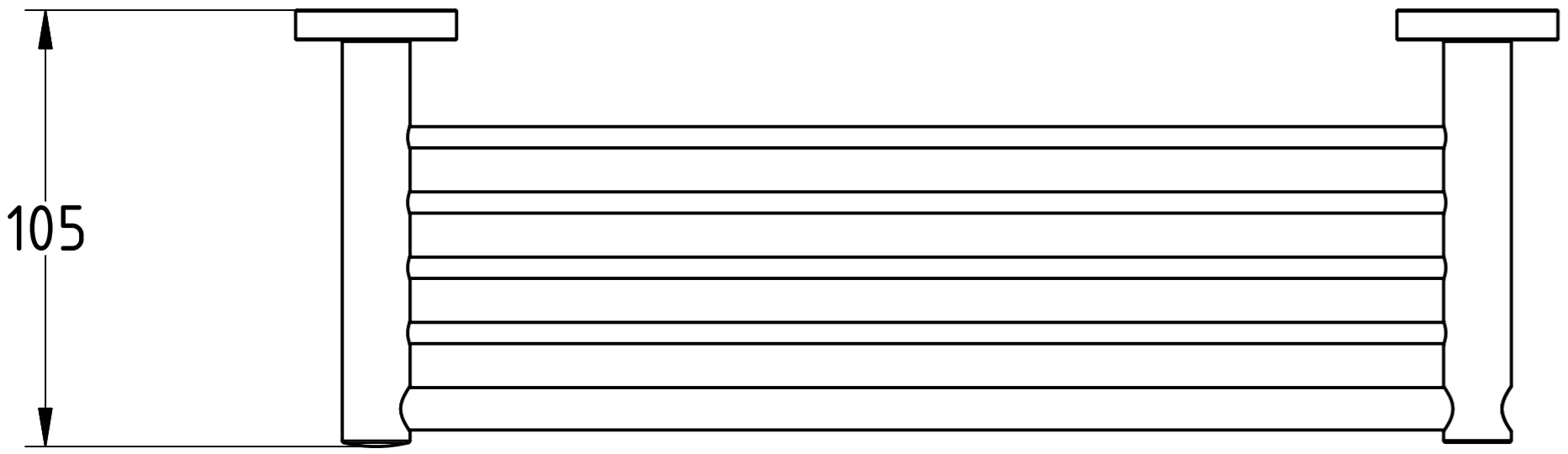
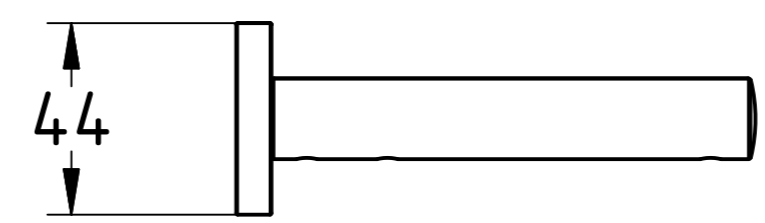
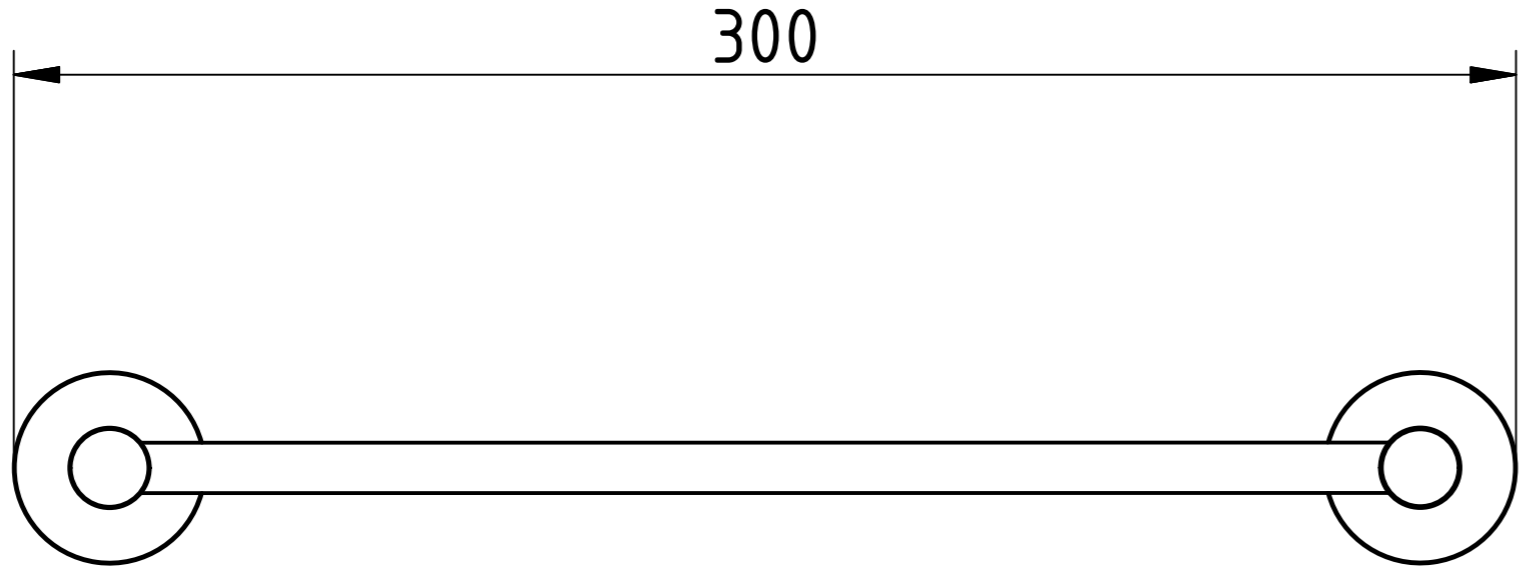


8 7 6 5 4 3 2 1

F  
E  
D  
C  
B  
A

F  
E  
D  
C  
B  
A



<b>VIOLEK</b>									
				Date	Name	TIPO SHELF			
				Drawn					
				Checked					
				Standard					
				Weight: 0,517 kg					
State	Changes	Date	Name					1	
								A2	

8 7 6 5 4 3 2 1