

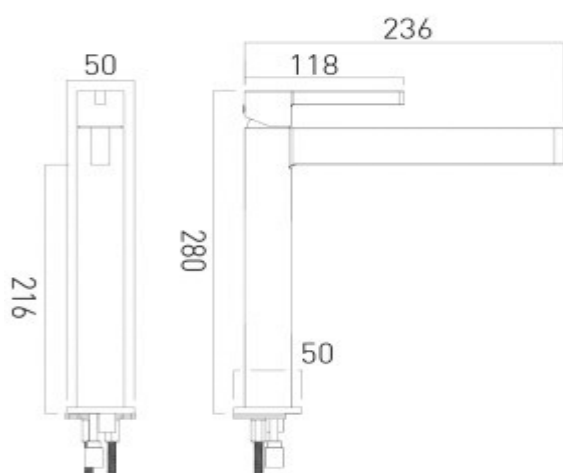


it's a personal experience  
taps | showering | accessories

technical sheet  
product code: EDI-100E/SB-C/P



technical drawing:



**description:** extended mono basin mixer  
single lever  
deck mounted  
smooth bodied without universal basin waste

**finishes:** chrome

**Eco** recommended flow regulator product code: flow regulator fitted as standard

**guarantee:** 12 year guarantee

**minimum operating pressure:** 1.0 bar MP

**flow rate at 3.0 bar flow pressure:** 4 l/min

**certificates and awards:**



cert no. 1611318