



BARD & BRAZIER



MADE IN ENGLAND

FLOATING D-RAIL

TOWEL WARMER

INSTALLATION/SERVICING GUIDE
(PLEASE RETAIN FOR FUTURE USE)

IMPORTANT INFORMATION

INSPECTION

Every effort has been taken to ensure that your product is delivered complete and without damage. Your product is thoroughly inspected before being packaged and despatched to you. However, your product may have been damaged during transit. For this reason, upon delivery, it is important to inspect the product and notify your supplier of any damage immediately. Failure to do so may invalidate your warranty.

**DO NOT INSTALL A PRODUCT THAT
IS RECEIVED DAMAGED**

No warranty costs will be considered for the product or labour relating to the installation of damaged product.

PROFESSIONAL INSTALLATION

We recommend that our products are fitted by a fully qualified professional plumber/heating engineer. They should be installed correctly and in accordance with all local water regulations.

LOCATION

When choosing a location for the towel warmer ensure that there is sufficient clearance to doors and shower cubicles etc.

Always ensure that the mounting surface is load bearing and a suitable structure to accept the product weight and fixings.

SAFE OPERATING TEMPERATURE

To prevent the risk of burns we recommended that the water temperature within the heating system is between 49°C and 60°C. Exceeding this may result in a burn hazard.

WARRANTY

Your product is guaranteed against faulty manufacture and materials for a period of 5 years from the original installation date. Warranty is subject to correct installation and maintenance and is limited to the product only, not to installation and removal costs.

PRODUCT USE

Your towel warmer has substantial construction properties and is made using the finest de-zincated brass. It has been designed for continuous use and can be used for towels and some items of clothing. Although not intended as a room heater, your towel warmer will contribute a small amount of heat when used in small bathrooms or cloak rooms with low heat losses.

PRODUCT CARE

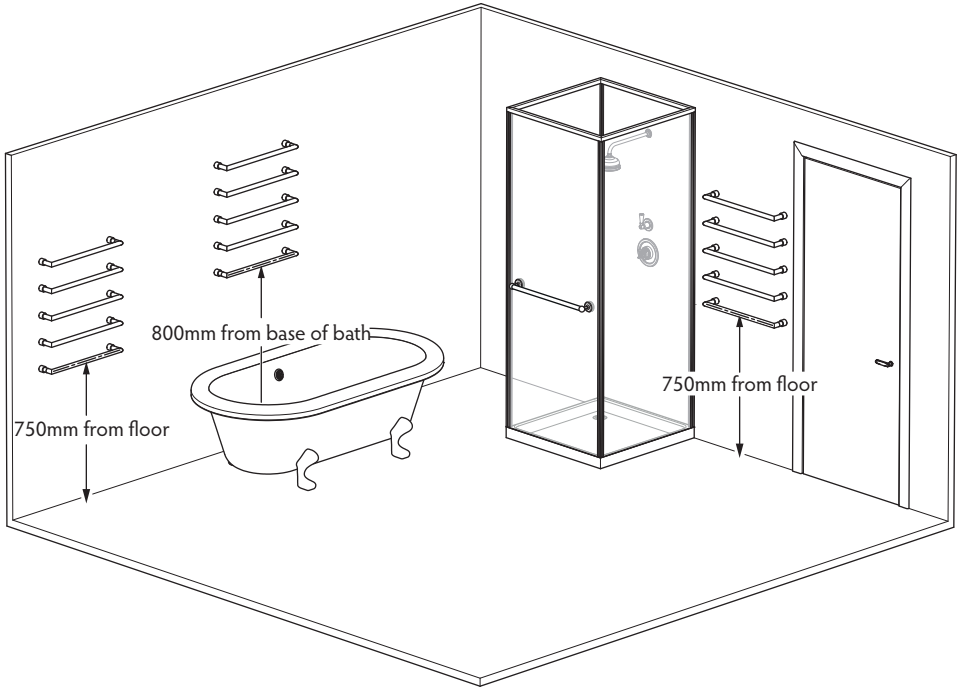
To retain the appearance of your towel warmer we recommend an occasional wipe with a damp cloth, or alternatively, a damp cloth with a small amount of soap. When clean, dry and buff with a clean soft duster, avoid excessive rubbing. Please refer to the cleaning instruction sheet supplied with the product. If you have any questions please telephone the helpline number listed at the rear of this guide.

**DO NOT USE ABRASIVE CLEANING PRODUCTS
WHICH CAN SCRATCH/DAMAGE THE SURFACE
FINISH.**

SUGGESTED LOCATIONS

The below locations are intended as a guide. The 930mm dimension is also a guide, but ensures that the towel warmer rails are easily accessible for an average height adult. Bathroom layout, the number of rails, size of towels and the height of the occupants should be taken into account when deciding upon the location of the towel warmer.

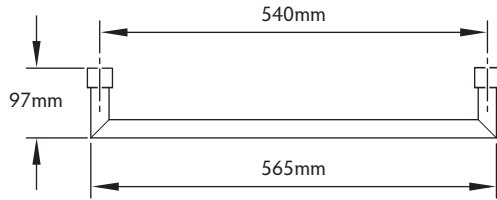
IMPORTANT: When placing a towel warmer behind a door or next to a shower enclosure ensure that the doors do not open onto the towel warmer as this may damage both the doors and the towel warmer.



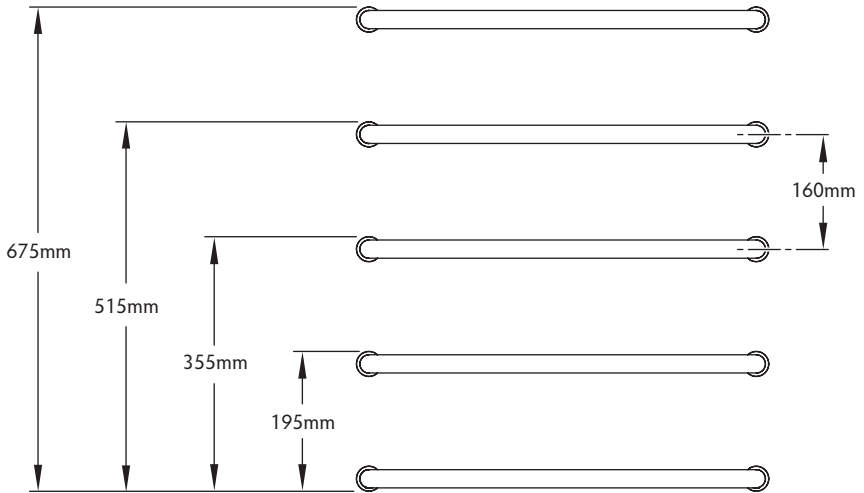
RAIL CONFIGURATION

The minimum number of rails for a towel warmer is one. This can be increased to suite your requirements. The length of the rails can be increased or decreased to your requirements.

DIMENSIONS



For each additional rail the height increases by 160mm



INSTALLATION

SAFETY NOTICE

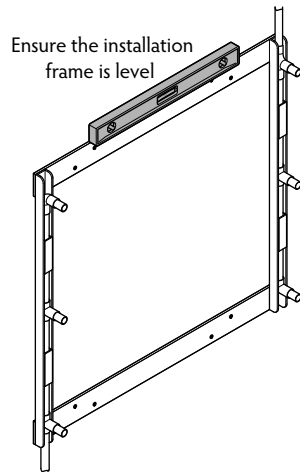
One person should be sufficient to lift the towel warmer components. If for any reason the weight of any components is considered too heavy then obtain assistance.

- When lifting always keep your back straight. Bend your legs and not your back
- Avoid twisting at the waist. It is better to reposition your feet
- Avoid upper body/top heavy bending
- Always grip with the palm of the hand. Do not use the tips of fingers for support
- Use gloves to provide additional grip
- Always use assistance if required
- Before drilling the mounting surface ensure that there are no hidden pipes or wiring.

INSTALLATION FRAME

It is important to select suitable fixings for the mounting surface.

- Place the installation frame on the wall/batons.
Use a spirit level to ensure the frame is level
- Using a pencil or fine marker, mark the centres of the fixing holes onto the wall. Use a spirit level to ensure the holes are level
- Remove the installation frame and using a suitable sized drill bit for the chosen fixings, drill the wall/batons. Use a spirit level to ensure that the holes are level
- Secure the installation frame to the wall/batons using suitable fixings
- Use a spirit level to ensure that the frame is level
- Connect the flow and return pipes

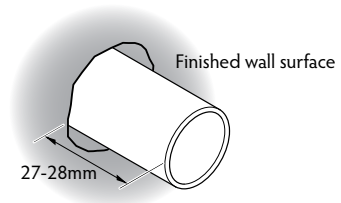


WALL FINISHING

- With the installation frame secured in place the finished wall surface can be applied

COPPER PIPES

- The copper pipes can now be cut to 27-28mm lengths from the finished wall surface

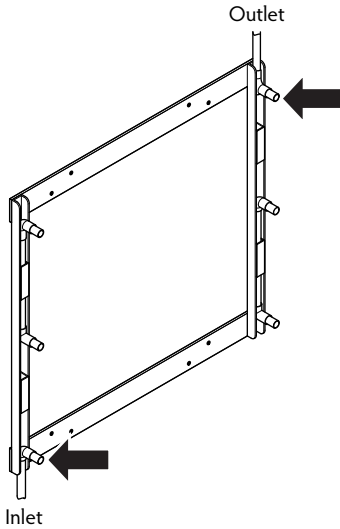


INSTALLATION

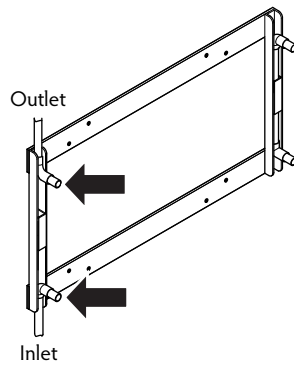
ISOLATION VALVES

There are two isolation valves supplied with each towel warmer. One should be fitted immediately above the water inlet to the bottom left rail, the other immediately below the water outlet on the upper rail. Depending on the number of rails the upper isolation valve will be either on the left or the right.

Arrows indicate isolation valve locations



Towel warmers with ODD numbers of rails



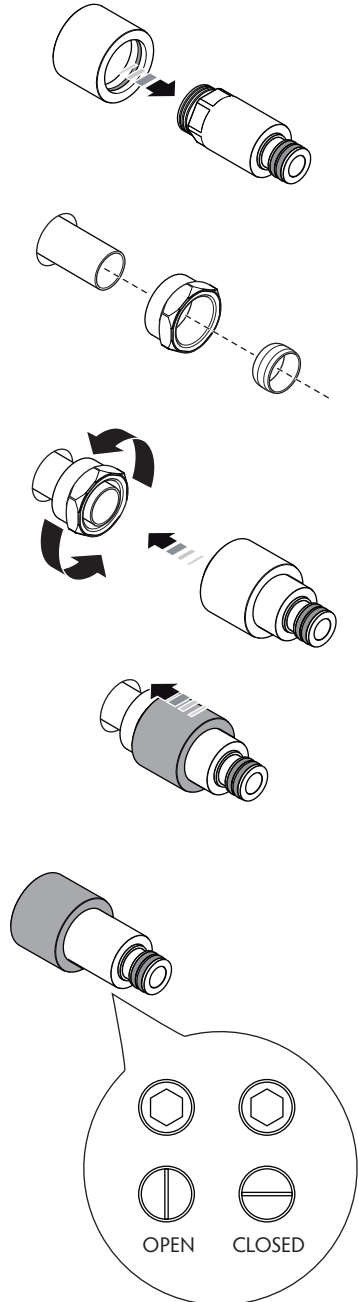
Towel warmers with EVEN numbers of rails

INSTALLATION

ISOLATION VALVES

Each valve has an isolation screw and a drainage screw

- Locate the decorative covers over the isolating valves. One end of each decorative cover has an 'o' ring on the inside. This should be located first.
- Locate the compression nuts and olives onto the copper pipes
- Fit the valves using the compression nuts and olives supplied. Ensure the isolating screw and drainage screw are on the underside of the valve
- Slide the decorative covers towards the wall to cover the compression fittings
- The isolation screw and drainage screw should be on the underside of the valve where they are least visible.

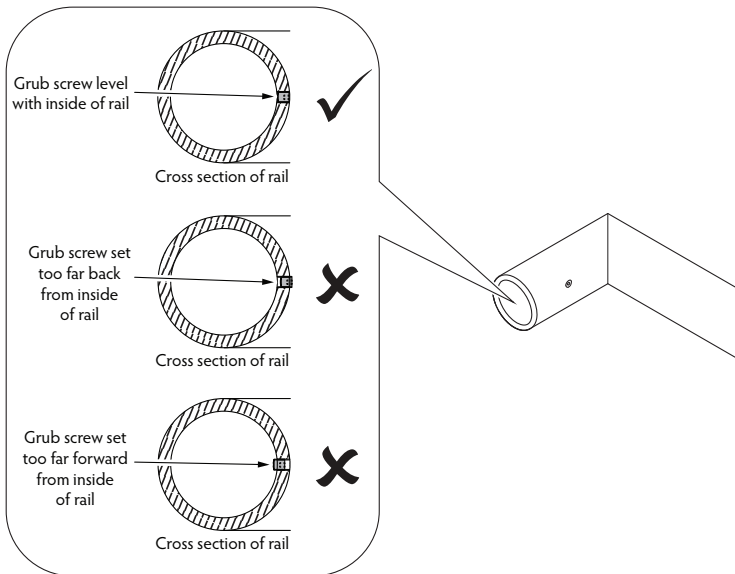


INSTALLATION

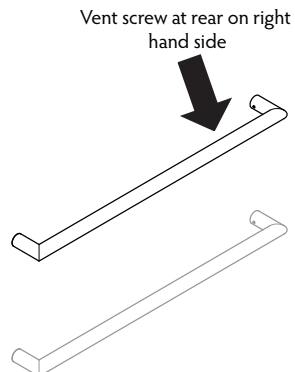
FITTING THE RAILS TO ISOLATION VALVES

IMPORTANT

Before fitting the rails ensure that the tails of the grub screws are level with the inner surface of the rails as shown below. The grub screws should not be recessed or protrude from the inner surface of the rails. If the grub screws are not level the 'o' rings will be damaged.



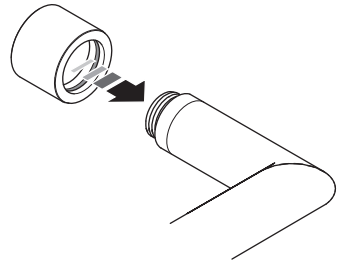
- The rail with the air vent screw at the rear must be used as the top rail. The vent screws should be located as shown opposite
- To aid installation, before fitting the rails we recommend the application of silicon based lubricant to the 'o' rings
- Gently push the rails onto the valves and tighten the grub screws
- For single rail towel warmers adjust the flow on the valves using a screwdriver. Bleed the towel warmer and check for leaks on all external joints.



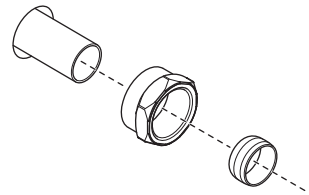
INSTALLATION

FITTING THE RAILS TO COPPER TUBES

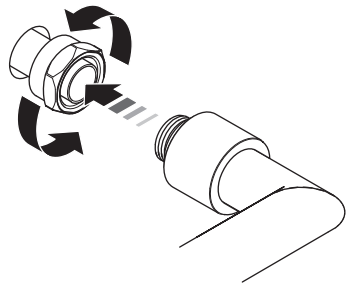
- Locate a decorative cover over each end of the rail. One end of each decorative cover has an 'o' ring on the inside. This should be located first.



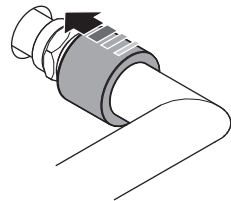
- Locate the compression nuts and olives onto the copper pipes



- Fit the rail using the compression nuts and olives supplied



- With all of the rails in place, adjust the flow on the valves using a screwdriver. Bleed the towel warmer and check for leaks on all external joints. To finish, slide the decorative covers towards the wall to cover the compression fittings



HELPLINE TELEPHONE +44(0)121 270 2222



Please dispose of your packaging thoughtfully.



Plastic bags can be dangerous.

To avoid danger of suffocation keep bags and packaging away from babies and children.



BARD & BRAZIER



The use of trademarks, product design and artwork is subject to license or agreement with BARD & BRAZIER limited. The design registration, trademark registration, patents and copyrights are protected by law and the use or reproduction outside the terms of an agreement is prohibited.

The right to modify designs and dimensions is reserved.

E&OE

© BARD & BRAZIER LIMITED

MANUFACTURED IN ENGLAND

www.bardbrazier.co.uk