

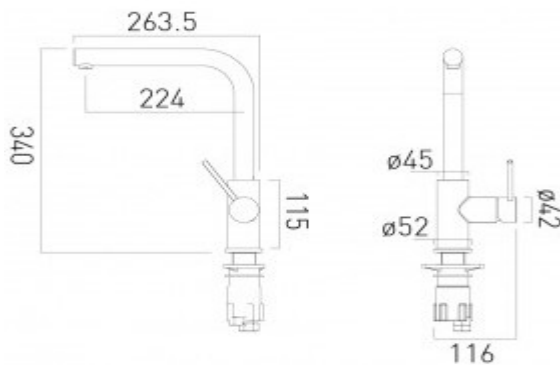


where inspiration flows
taps | showering | accessories

technical sheet
product code: CUC-1007-C/P



technical drawing:



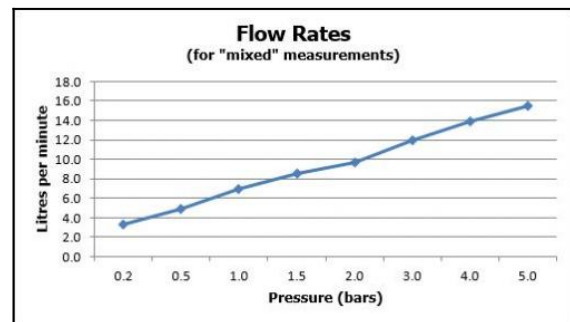
description: camber
mono sink mixer
single lever
deck mounted
with swivel spout

finishes: chrome

 recommended flow regulator product code: FR-FLEXI/5-PLA

guarantee: 12 year guarantee

minimum operating pressure: 1.0 bar MP



'mixed measurements' refers to equal hot and cold water supply
flow rate for unregulated flow unless flow regulator fitted as standard

certificates and awards:



cert no. 1709328