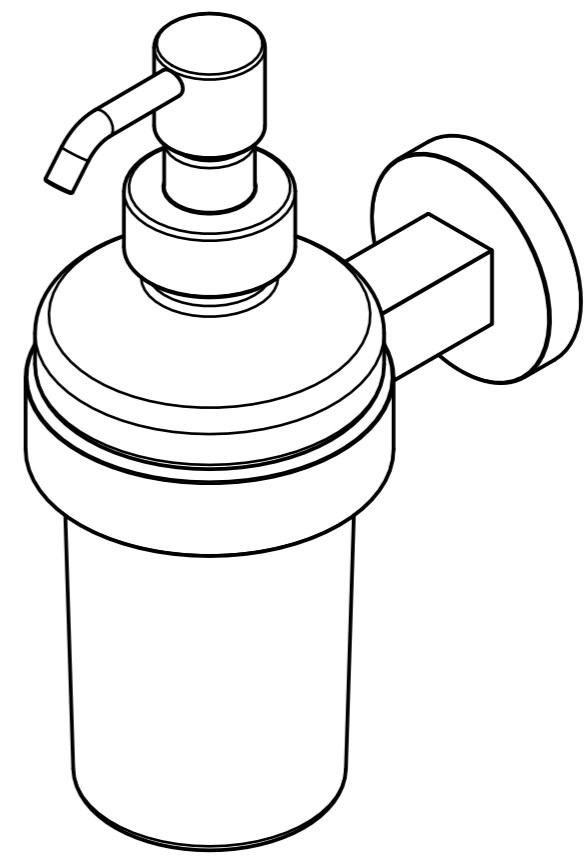
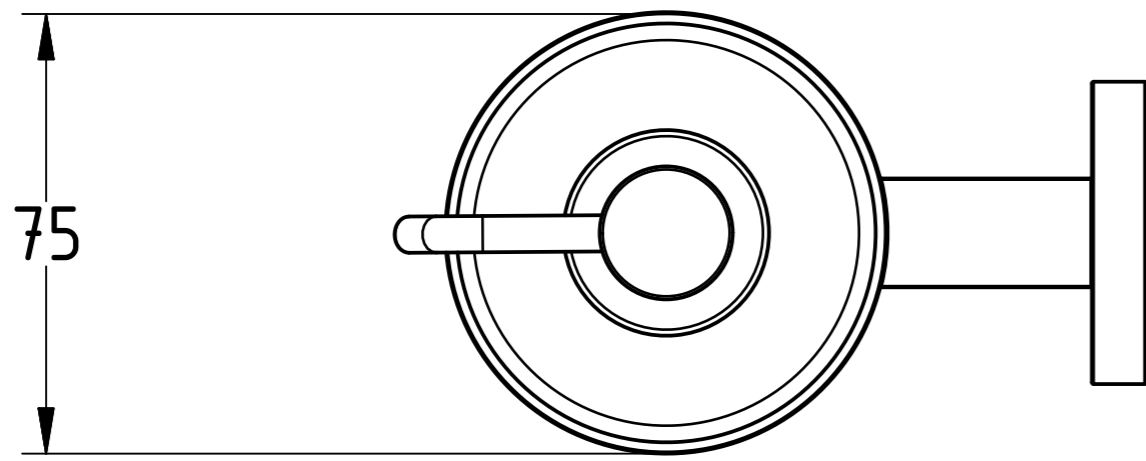
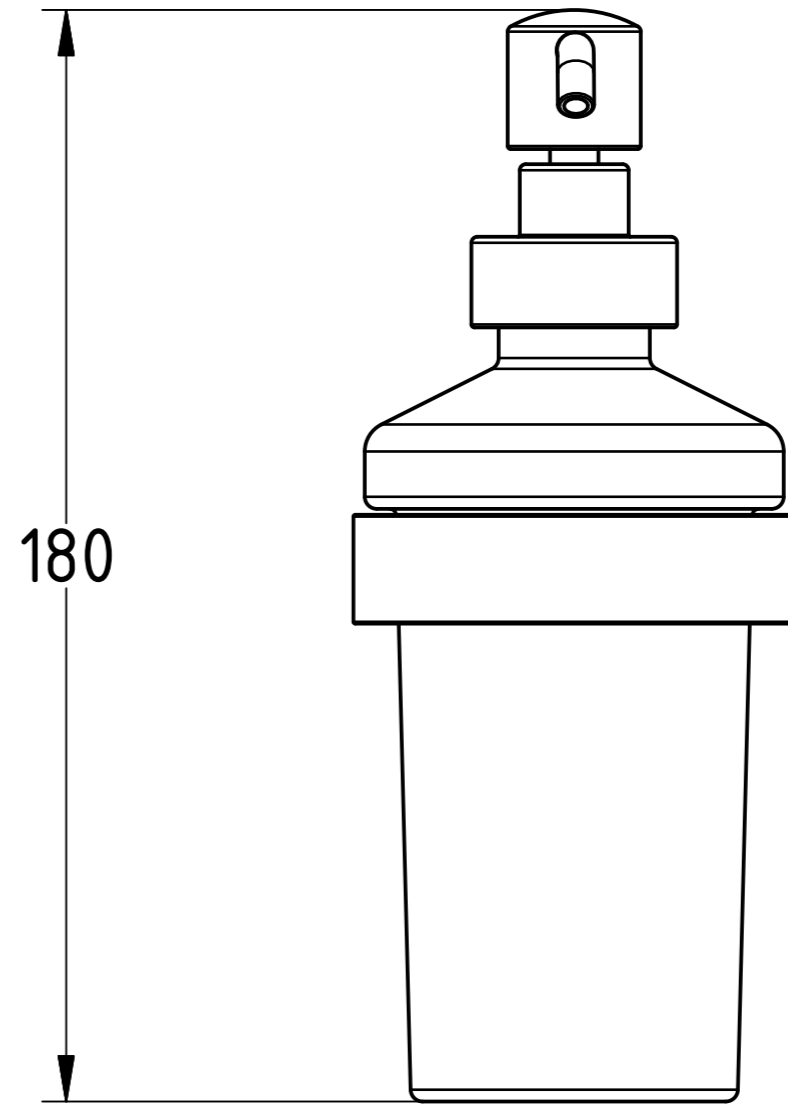
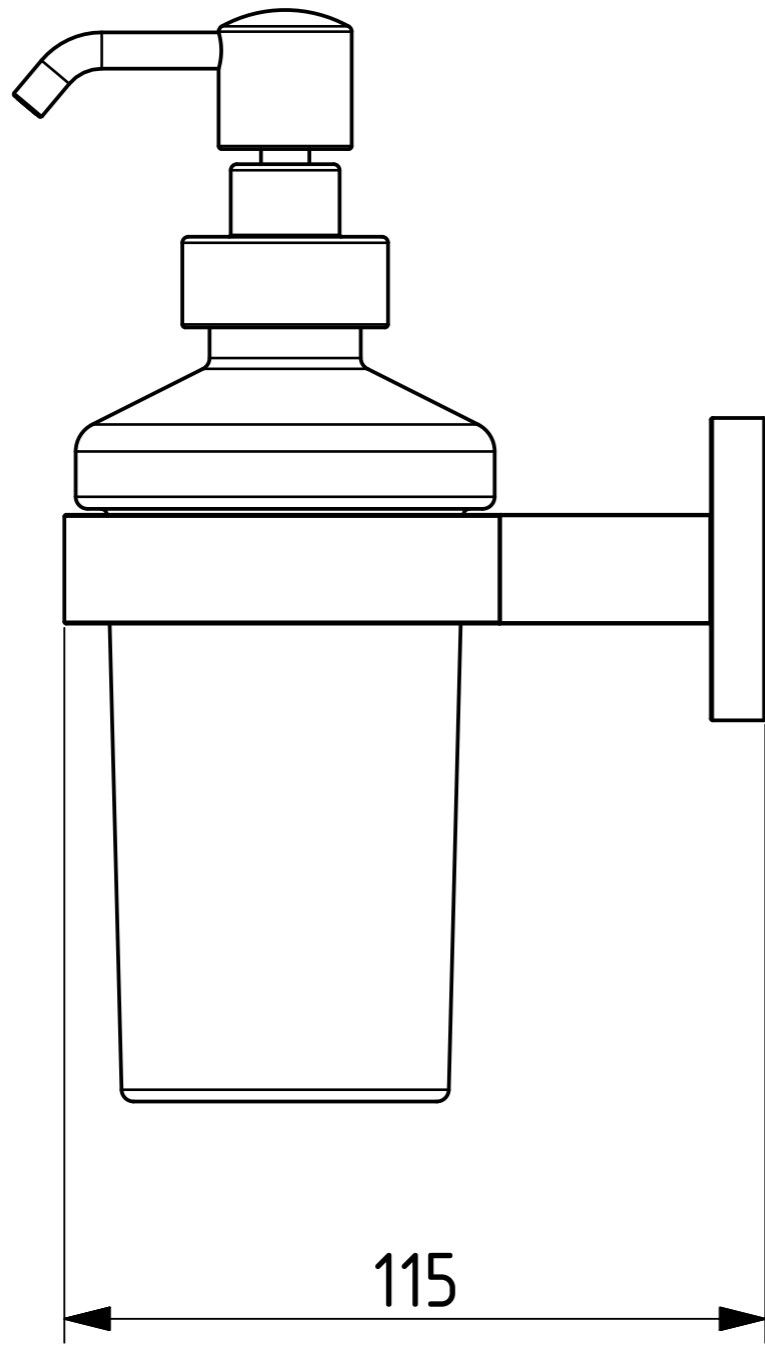


8 7 6 5 4 3 2 1

F E D C B A



<b>VIOLEK</b>							
				Date	Name	<b>SCANDAL SOAP DISPENSER</b>	
				Drawn			
				Checked			
				Standard			
				Weight: 0,715 kg			1
State	Changes	Date	Name				A2

8 7 6 5 4 3 2 1

F E D C B A