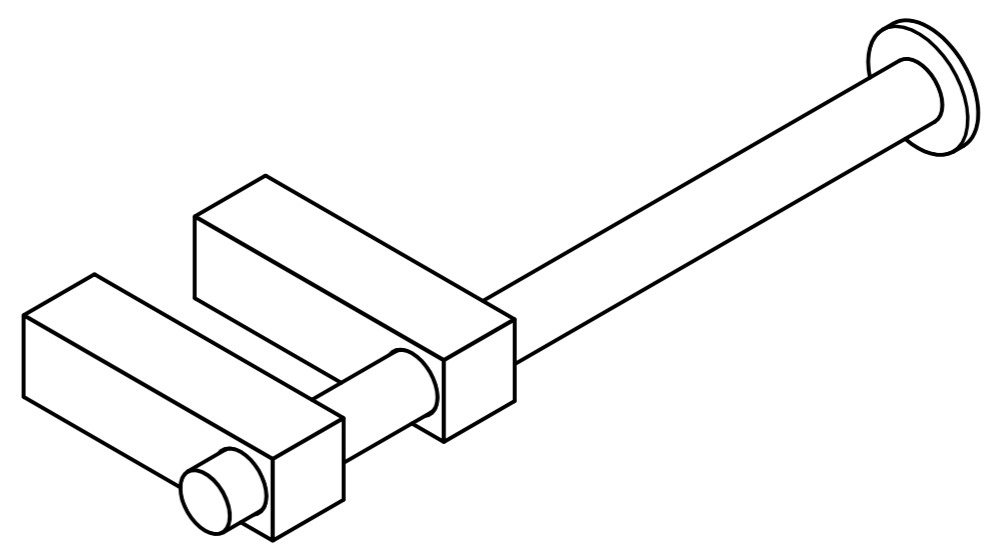
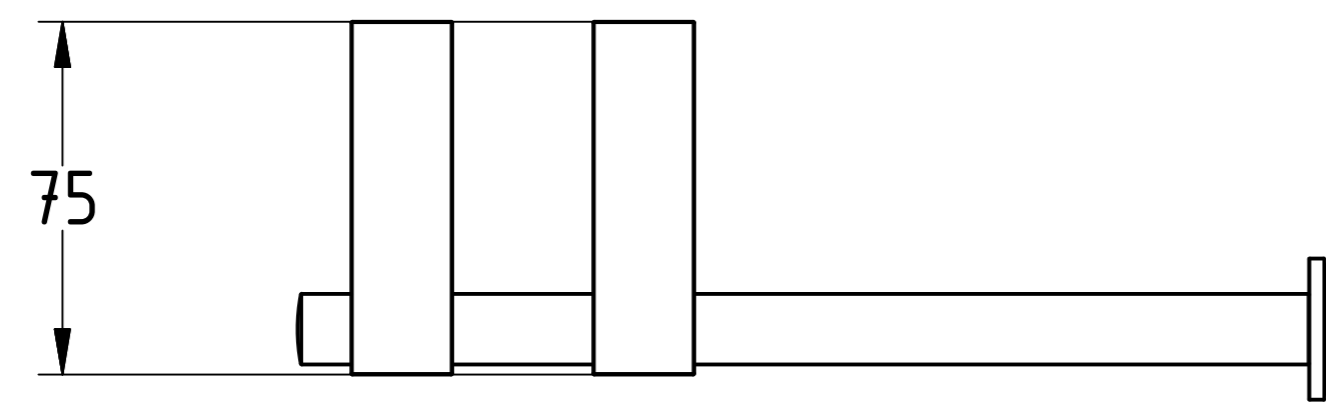
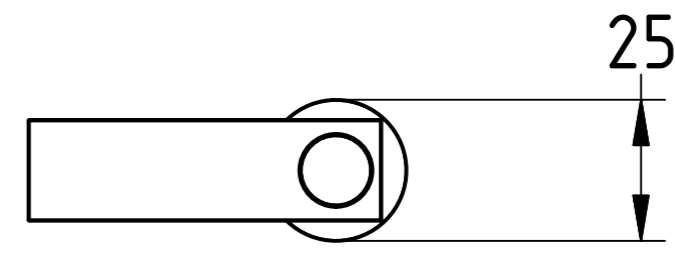
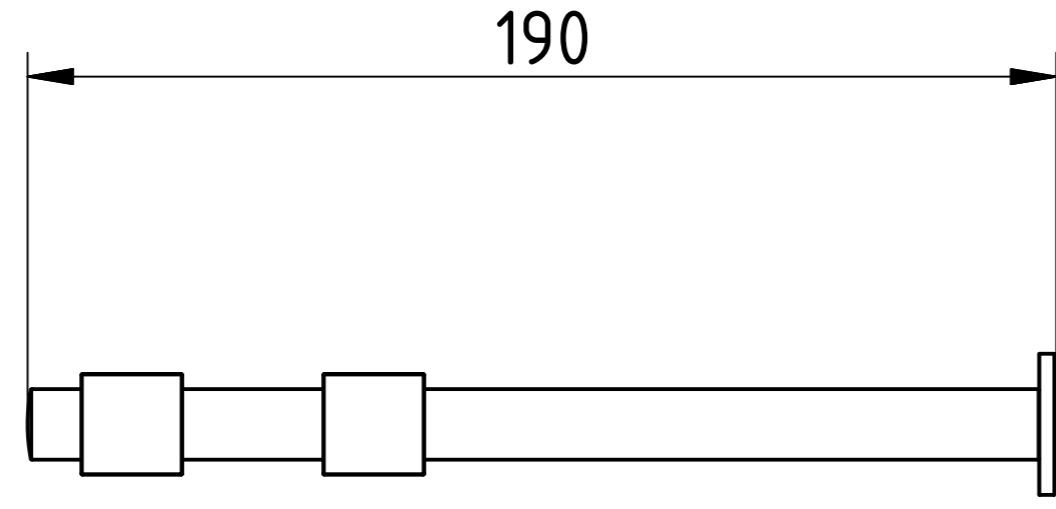


8 7 6 5 4 3 2 1

F
E
D
C
B
A

F
E
D
C
B
A



VIOLEK							
				Date	Name	ECCO TOILET ROLL HOLDER	
				Drawn			
				Checked			
				Standard			
						Weight: 0,375 kg	
						1	
						A2	
State	Changes	Date	Name				

8 7 6 5 4 3 2 1