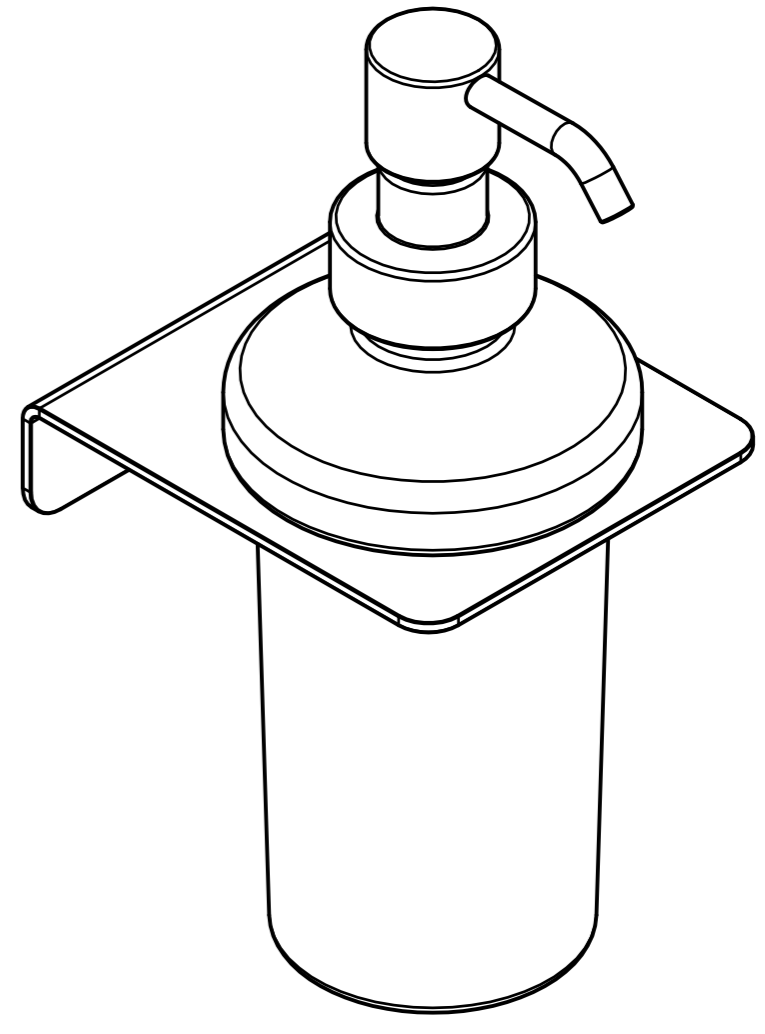
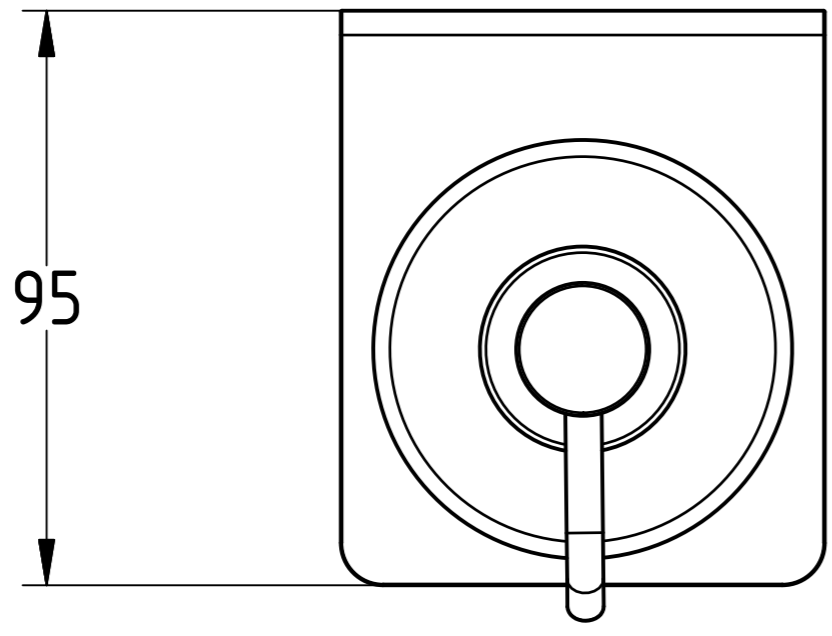
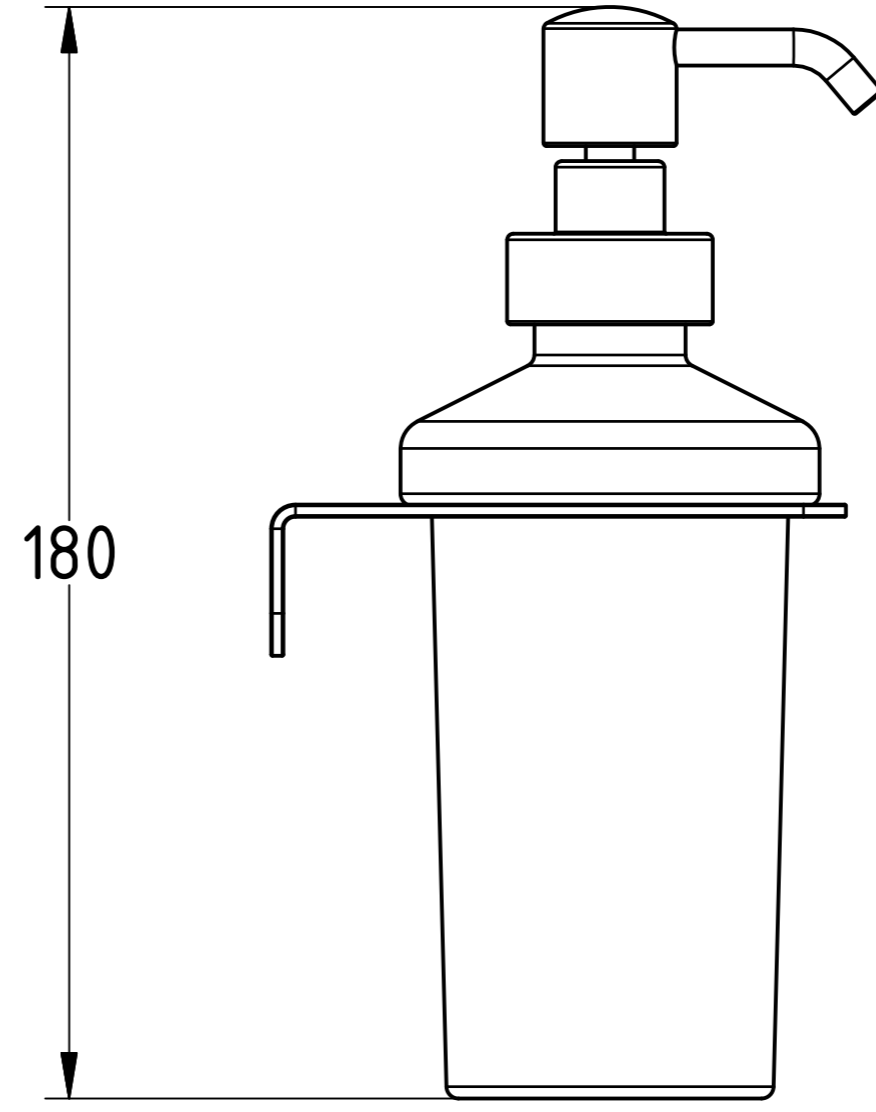
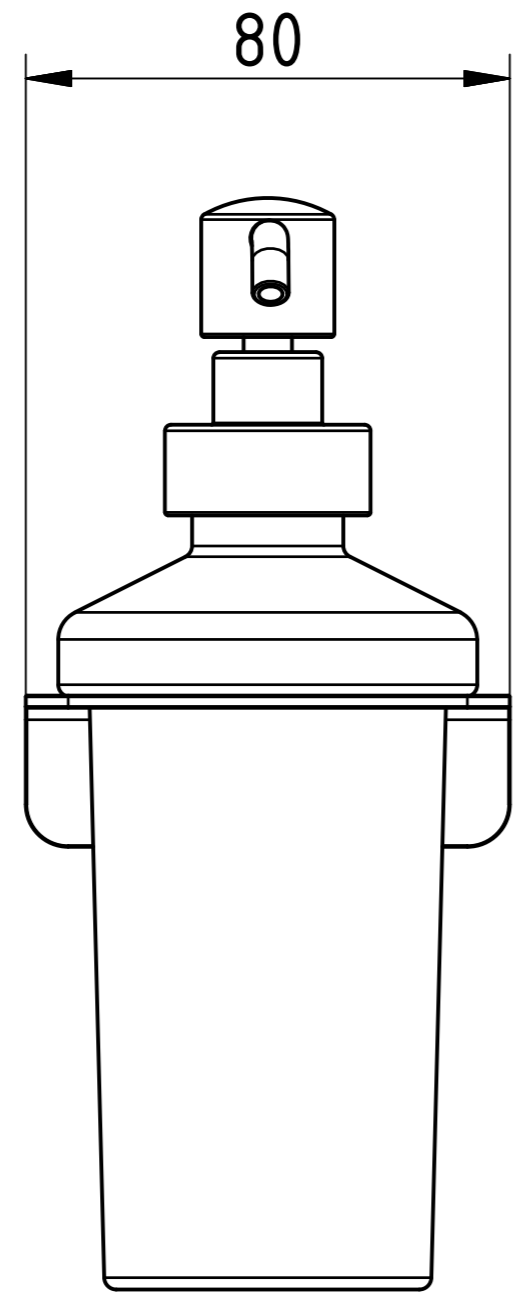


8 7 6 5 4 3 2 1

F
E
D
C
B
A

F
E
D
C
B
A



VIOLEK									
				Date	Name				
				Drawn					
				Checked					
				Standard					
						Weight: 0,153 kg			
								1	
								A2	
State	Changes	Date	Name						

8 7 6 5 4 3 2 1

A

A

ECCO
SOAP DISPENSER